



Plugs for the world

## SPEC Grade Series

Motor Disconnects  
and Switched Receptacles



[www.MENNEKES.com](http://www.MENNEKES.com)

A New Angle on Clean...

## SPEC Grade by MENNEKES®

Motor Lockout/Tagout requirements exist in all plant environments BUT finding a compact solution in critical wash down and clean room areas remains a challenge.

MENNEKES is proud to offer SPEC Grade Motor Disconnects and Interlocked Receptacles, both in sloped-top enclosures for the ultimate clean installation.

The SPEC Grade Motor Disconnect Switches are offered in 3 sizes of NEMA 4X enclosures to provide for flexibility in design and budgets. All models have padlockable handles to comply with OSHA LO/TO regulations.

## Innovative Series of Sloped-Top Disconnects



### Sealed NEMA 4X; 12 Enclosure

- 304 Stainless with low RA value finish
- Broad switch selection, rated 25A-100A from 5HP to 50HP
- Early break auxiliary contacts for VFD and starter interface
- Generous wiring space facilitates installation
- Sealed fixing holes for flush rear-wall mounting
- Ground stud provided
- Removable cover with captive hardware

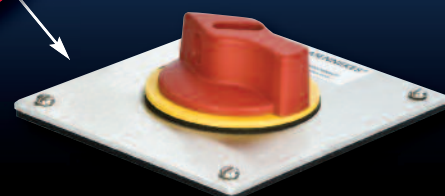


### Small Footprint Option

- Compact size
- Value priced
- Same great features



One-piece punched gasket for watertight seal



### Superior Enclosure Design

- 15° Sloped roofs to facilitate run-off of liquids
- “Clean” high visibility RED/YELLOW operator handle
- Generous drainage channel to impede harborage of contaminants
- Shrouded handle to minimize damage



### Switched Receptacle Version

- Interlocked for safety
- Complies to Lockout/Tagout
- Available 20A & 30A Pin and Sleeve styles

Switches meet code requirements for “suitable as a motor disconnect”. Housed in 304 Stainless Steel enclosures, units are designed for the harshest of operating conditions. This range of switches satisfies most line motor disconnect needs.

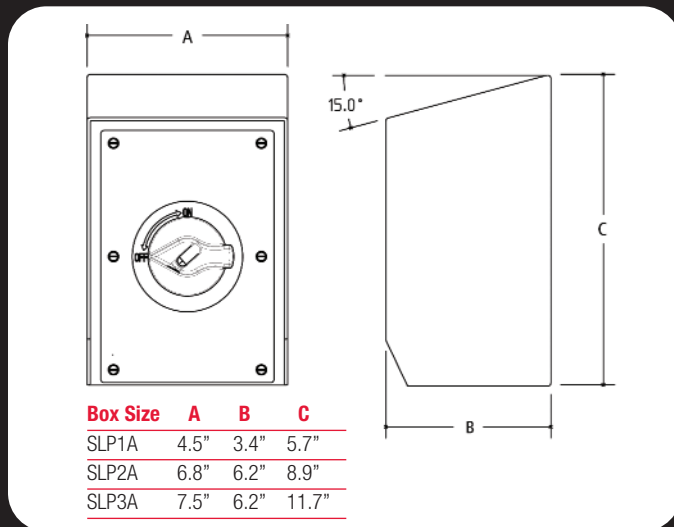
SPEC Grade Switched and Interlocked Receptacles are an INDUSTRY FIRST. Housed in a NEMA 4X stainless steel sloped-top enclosure, units are available in 20A and 30A IEC 60309 Receptacle Configurations for compatibility with like rated competitors. Receptacle and switch are factory wired; patented interlock mechanism assures “NO LOAD” make and break of plug connected equipment for operator safety.

## SPEC Grade Disconnect Series

Catalog No.	AMP	HP Ratings			
		240v		480/600v	
		1Ø	3Ø	1Ø	3Ø
<b>Standard Size Enclosure (SLP1A)</b> <i>Switch block is mounted to cover</i>					
ME 30SLP1A-M2	30	2.5	5	5	10

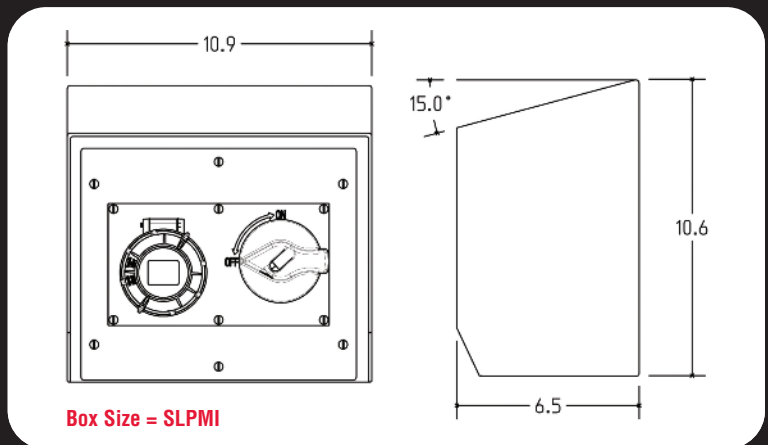
<b>Large Enclosure (SLP2A)</b> <i>Switch block is mounted to DIN rail</i>					
ME 20SLP2A-M2	25	1.5	3	3	5
ME 30SLP2A-M2	30	2.5	5	5	10
ME 40SLP2A-M2	40	3	7.5	7.5	15
ME 60SLP2A-M2	60	5	10	10	20

<b>X-Large Enclosure (SLP3A)</b> <i>Switch block is mounted to DIN rail</i>					
ME 100SLP3A-M2	100	15	25	30	50



## SPEC Grade Switched and Interlocked Receptacles

Catalog No.	Amp	Voltage	Ø	HP Rating	Mating Plug Catalog No.
ME 320SLPMI4	20	125Vac	1	0.75	ME 320P4W
ME 320SLPMI6	20	250Vac	1	1.5	ME 320P6W
ME 420SLPMI12	20	125/250Vac	1	0.75; 1.5	ME 420P12W
ME 420SLPMI9	20	250Vac	3	3	ME 420P9W
ME 420SLPMI7	20	480Vac	3	7.5	ME 420P7W
ME 420SLPMI5	20	600Vac	3	7.5	ME 420P5W
ME 330SLPMI4	30	125Vac	1	1.5	ME 330P4W
ME 330SLPMI6	30	250Vac	1	3	ME 330P6W
ME 430SLPMI12	30	125/250Vac	1	1.5; 3	ME 430P12W
ME 430SLPMI9	30	250Vac	3	7.5	ME 430P9W
ME 430SLPMI7	30	480Vac	3	15	ME 430P7W
ME 430SLPMI5	30	600Vac	3	15	ME 430P5W
ME 432SLPMI3	32	380-440Vac	3	10	ME 432P3W-2175



### Blank Enclosure

SLP1A-BLK	Standard Size Enclosure
SLP2A-BLK	Large Enclosure
SLP3A-BLK	X-Large Enclosure
SLPMI-BLK	Horizontal Enclosure

Blank boxes available in 4 enclosure sizes



**MENNEKES®**  
Plugs for the world

MENNEKES  
Electrical Products  
277 Fairfield Road  
Fairfield, NJ 07004  
**(800) 882-7584**

[www.MENNEKES.com](http://www.MENNEKES.com)

©2013 MENNEKES Electronics, Inc. ME 2471 6/13



Download our entire products catalog at:  
[www.MENNEKES.com](http://www.MENNEKES.com)